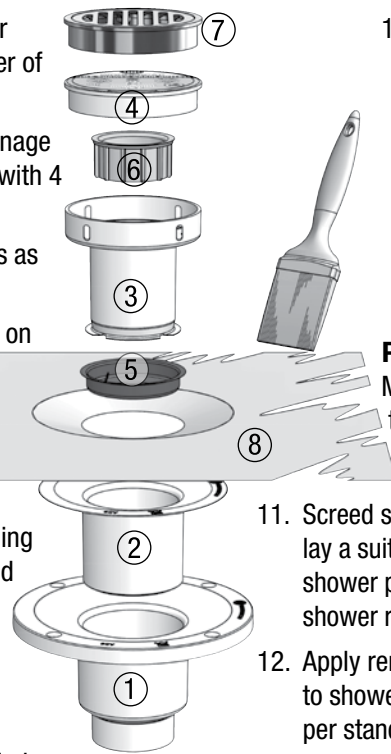


# Preparation and installation of the Waterproof Paintable Membrane connection to the Wondercap Tile Shower Outlet as per IAPMO UPC 1-2018 408.0 Showers

1. Position the Wondercap Tiled Shower Outlet into shower drain outlet – ideally, the location should be in the center of the shower.
2. Clean, prime and solvent-weld flange tail<sup>①</sup> into the drainage pipe. Ensure the flange sits flush with floor and secure with 4 counter-sunk screws.
3. Install approved backer boards to the shower stud walls as required.
4. To form the pre-slope, mark out the height of pre-slope on external walls of shower, allowing a fall of ¼" per foot. Fill with dry pack mortar and screed back to edge of outer Wondercap flange<sup>②</sup>. Install the curb/rough threshold. Once bedding is set, form the curb/ shower step by packing in a dry mortar mix and trowelling to the desired thickness of shower step. The curb should be no less than 2" in height above the internal shower bedding floor and no more than 9" in height.
5. Once dry, remove inner flange<sup>②</sup> and the base<sup>③</sup> & cap<sup>④</sup> component and set aside.
6. After back boards, pre-slope and curb have been installed, clean the required waterproofing areas and prepare finished surfaces for the waterproofing membrane installation.
7. Using 2x 6"x24" fiberglass mesh strips, place both strips on either side of outer flange, overlapping and completely covering the outlet of the outer flange<sup>②</sup>. Carefully cut away inner circle of the overlapped fiberglass strips. Clean, prime and solvent-weld inner flange and outer flange. Press the two components together with a twisting motion, maintaining a firm pressure for a few seconds until solvent cement has taken hold. Note: silicone sealant will not be required as the waterproofing will be applied across the outer flange<sup>①</sup> & inner flange<sup>②</sup> connection.

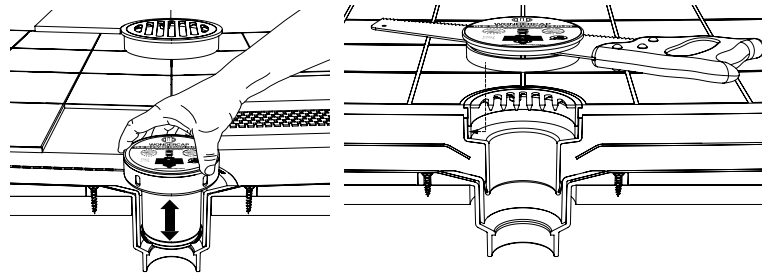


10. Reinsert Wondercap base<sup>③</sup> & cap<sup>④</sup> component into inner flange<sup>②</sup>. Raise base<sup>③</sup> & cap<sup>④</sup> component to required mortar height and apply a mortar mix in and around underside of the base<sup>③</sup> & cap<sup>④</sup> to support and hold to the required position – always use a spirit level to ensure the base<sup>③</sup> & cap<sup>④</sup> component is perpendicular to the flange<sup>①</sup>. **Do not remove protective cap.**

## PRO TIP!

Make sure to allow for tile thickness when raising the base<sup>③</sup> & cap<sup>④</sup> to the required height. The base<sup>③</sup> & cap<sup>④</sup> should end flush with the top of the tile.

11. Screed shower bed with 1" layer of prepared mortar mix and lay a suitable galvanized steel mesh or metal lath over the shower prepared bedding and continue the metal lath across shower rough threshold (the step).
12. Apply remaining mortar mix over mesh or lath. Screed back to shower drain outlet whilst maintaining correct grade as per standard building requirements.
13. When laying floor tiles, the fall is maintained towards drain and tiles are cut around the round strainer using the protective cap or strainer as a template. Square strainers<sup>⑦</sup> are set up and cut around as required.
14. Finally, remove protective cap<sup>④</sup> and seal in desired strainer<sup>⑦</sup> with tile glue and grout.



## PRO TIP!

Raise adjustable base to required mortar height, allowing for tile thickness

**PRO TIP!** For connection with 2" linear drains insert Wondercap reducing bush<sup>⑥</sup> into base<sup>③</sup> Discard if not required.

**Remember:** Discard test plug<sup>⑤</sup> after use and if NOT installing a linear drain connection, discard reducing bush<sup>⑥</sup>.



## WONDERCAP

Wondercap USA, Inc 1270 Caroline St Suite D120-435, Atlanta GA 30307

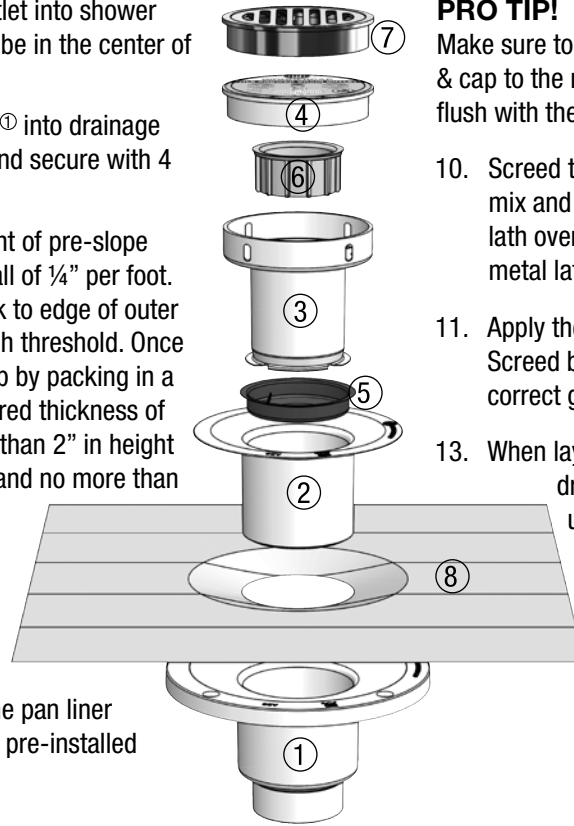
Ph: 844-966-3370 E: sales@wondercap.com W: www.wondercap.com

## PRO TIP!

Using supplied blue test plug<sup>⑤</sup>, flood test the waterproofing paintable membrane. The flood test should be held for up to 4 hours to ensure the waterproofing membrane and its connection to drain is water tight.

# Preparation and installation of the PVC Shower Pan Liner and connection to the Wondercap Tile Shower Outlet as per IAPMO UPC 1-2018 408.0 Showers

1. Position the Wondercap Tiled Shower Outlet into shower drain outlet – ideally, the location should be in the center of the shower.
2. Clean, prime and solvent-weld flange tail<sup>①</sup> into drainage pipe. Ensure flange sits flush with floor and secure with 4 counter-sunk screws.
3. To form the pre-slope, mark out the height of pre-slope on external walls of shower, allowing a fall of ¼” per foot. Fill with dry pack mortar and screed back to edge of outer Wondercap flange<sup>①</sup>. Install the curb/rough threshold. Once bedding is set, form the curb/shower step by packing in a dry mortar mix and trowelling to the desired thickness of shower step. The curb should be no less than 2” in height above the internal shower bedding floor and no more than 9” in height.
4. Once dry, remove inner flange<sup>②</sup> and the base<sup>③</sup> & cap<sup>④</sup> component and set aside.
5. Position shower pan liner<sup>⑧</sup> over the outer flange<sup>①</sup> and install pan liner as required by manufacturer. The sides of the pan liner are supported and nailed 1” above to the pre-installed horizontal timber support.



## PRO TIP!

Make sure to allow for tile thickness when raising the base & cap to the required height. The base<sup>③</sup> & cap<sup>④</sup> should end flush with the top of the tile.

10. Screed the shower bed with 1” layer of prepared mortar mix and lay a suitable galvanized steel mesh or metal lath over the shower prepared mortar and continue the metal lath across the shower rough threshold (the step).
11. Apply the remaining mortar mix over the mesh or lath. Screed back to shower drain outlet while maintaining correct grade as per standard building requirements.
13. When laying floor tiles, the fall is maintained towards drain and tiles are cut around the round strainer using the protective cap<sup>④</sup> or strainer<sup>⑦</sup> as a template. Square strainers are set up and cut around as required.
14. Finally, remove protective cap<sup>④</sup> and seal in the desired strainer<sup>⑦</sup> with tile glue and grout.

## PRO TIP!

It is important the liner is turned up the walls at least 3” higher than the finished dam and the pan liner sides are nailed no lower than 1” above the finished curb (shower step) or threshold. The liner should extend up and over the curb (where shower door/screen will sit) and fasten to the outer floor area. Prefabricated corners can be bonded in areas where folding is not possible.

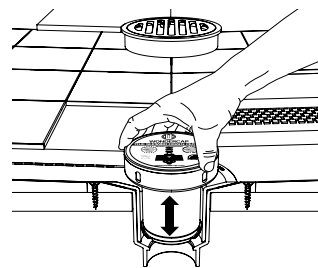
6. Locate inner edge of outer flange<sup>①</sup> (screwed to the floor) and carefully cut away the inner circle of the pan liner.
7. Apply a ½” bead of clear, all-purpose silicone (caulking) sealant to inner top surface of the outer flange<sup>①</sup> (on the surface of the shower pan liner) and ½” bead of silicone to the underside of the inner flange<sup>②</sup> (½” from edge).
8. Clean, prime and solvent-weld inner flange<sup>②</sup> and outer flange. Insert flange<sup>②</sup> through the pan liner and press down with a twisting motion, maintain a firm pressure for a few seconds until the solvent cement has taken hold.

## PRO TIP!

Using the supplied blue test plug<sup>⑤</sup>, flood test the shower pan liner. The shower pan liner flood test should be held for up to 4 hours to guarantee a water tight connection. Discard test plug<sup>⑤</sup> after use.

9. Reinsert the Wondercap base<sup>③</sup> & cap<sup>④</sup> component into the inner flange<sup>②</sup>. Raise the base<sup>③</sup> & cap<sup>④</sup> component to required mortar height and apply a mortar mix in and around the underside of base<sup>③</sup> & cap<sup>④</sup> to support and hold in position – always use a spirit level to ensure the base<sup>③</sup> & cap<sup>④</sup> component is perpendicular to the flange<sup>①</sup>.

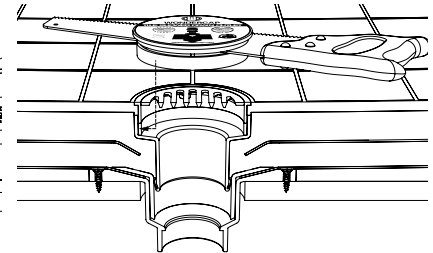
**Do not remove protective cap.**



## PRO TIP!

Raise adjustable base to required mortar height, allowing for tile thickness.

**PRO TIP!** For connection with 2” linear drains insert Wondercap reducing bush<sup>⑥</sup> into base<sup>③</sup>. Discard if not required.



## PRO TIP!

If you have not allowed for tile thickness, continue tiling to the drain outlet. Tiles will finish ½” above the top of the base<sup>③</sup> & cap<sup>④</sup>. Remove cap and cut internal edge of cap<sup>④</sup> to the height required to support selected strainer (as per detail) to finish flush with the tiles.

**Remember:** Discard test plug<sup>⑤</sup> after use and if NOT installing a linear drain connection, discard reducing bush<sup>⑥</sup>.



**WONDERCAP**

Wondercap USA, Inc 1270 Caroline St Suite D120-435, Atlanta GA 30307

Ph: 844-966-3370 E: sales@wondercap.com W: www.wondercap.com